

M700 SERIES HINGED TERRACE DOOR

FEATURES

- ◇ **Commercial Framing System**
 - 4 1/2' main frame
 - Extruded wall thickness of 0.125" for all outside walls
 - Extruded wall thickness of 0.070" for all inside walls
 - 2 1/8" enhanced sill or 1/2" ADA Low Profile sill
- ◇ **Thermally Enhanced Design**
 - Heavy-duty corner keys internally sealed to eliminate sag
- ◇ **Glazing**
 - Impact-rated tempered insulated glass
- ◇ **Hardware**
 - Adjustable hinges
 - 2-way adjustable hinge (optional 3-way available)
 - 5-point locking system for added security
 - Stylish handle sets add modern touch

OPTIONS

- ◇ **Available Configurations**
 - Single Panel
 - Outswing
 - Matching transoms and sidelites
 - Standard or custom sizing
- ◇ **Muntin Choices**
 - Internal or simulated divided lites available
- ◇ **Hardware**
 - ADA Sill (Outswing only)
 - 10" bottom rail
 - Surface mounted closure
- ◇ **Glazing**
 - Up to 1 3/8" thickness of I.G. available
 - Multiple Low-E and argon glazing choices
 - Sound attenuation glazing packages for STC/OITC
- ◇ **Panning & Trim Choices**
 - Wide variety of panning, receptor and trim available

BENEFITS

- ◇ Meets ASTM 1886 (Large Missile Impact testing)
- ◇ The capacity to match exterior colors for unique project facades
- ◇ Florida Building Approved FL28083

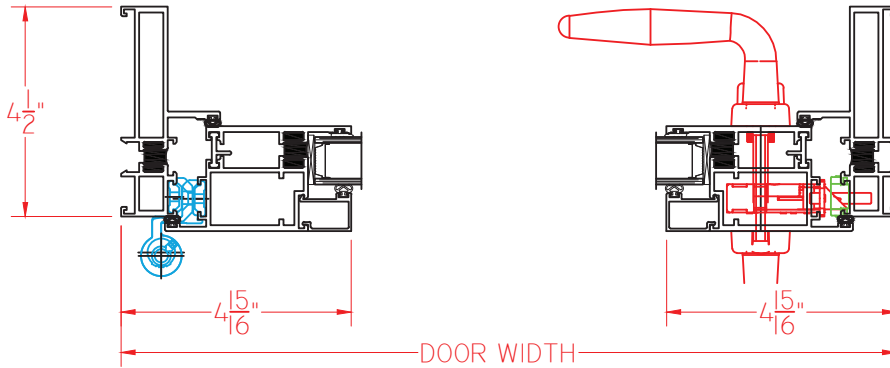
PERFORMANCE

- ◇ Structural & Thermal (test reports or thermal simulations available upon request)

Model	M700 Terrace Door
	Single Panel Outswing
Test Size	48" x 96"
NAFS Rating	AW-PG70-TD
Design Pressure	70
Air Infiltration	
Water (No Penetration) P.S.F.	
U-Value (ranges based on multiple Low-E/Argon combinations)	
SHGC (ranges based on multiple Low-E/Argon combinations)	
Missile Level	D
Wind Zone	Level 3

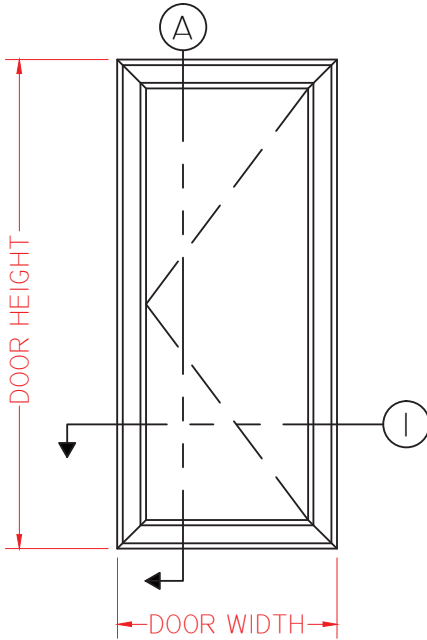
M700 SERIES OUTSWING TERRACE DOOR

This document contains confidential and proprietary information intended for the private use of Quaker.
© 2018 Quaker Window Products Co., INC. All rights reserved.
Quaker reserves the right to change any/all designs without notice. Due to periodic re-certification requirements, result shown may vary.

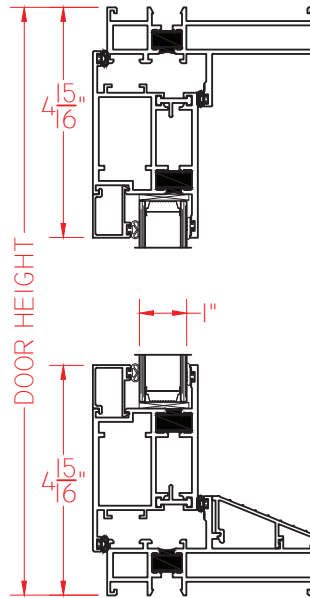


① HORIZONTAL
CROSS SECTION

Ⓐ VERTICAL
CROSS SECTION



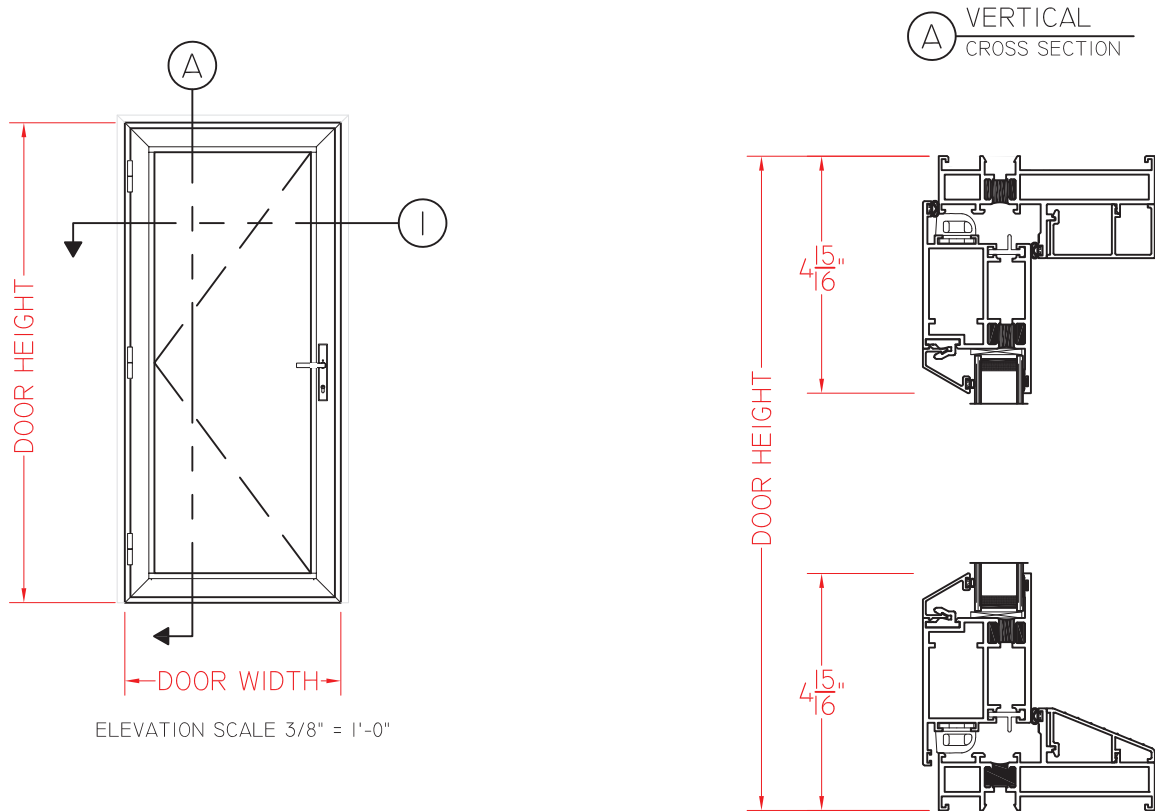
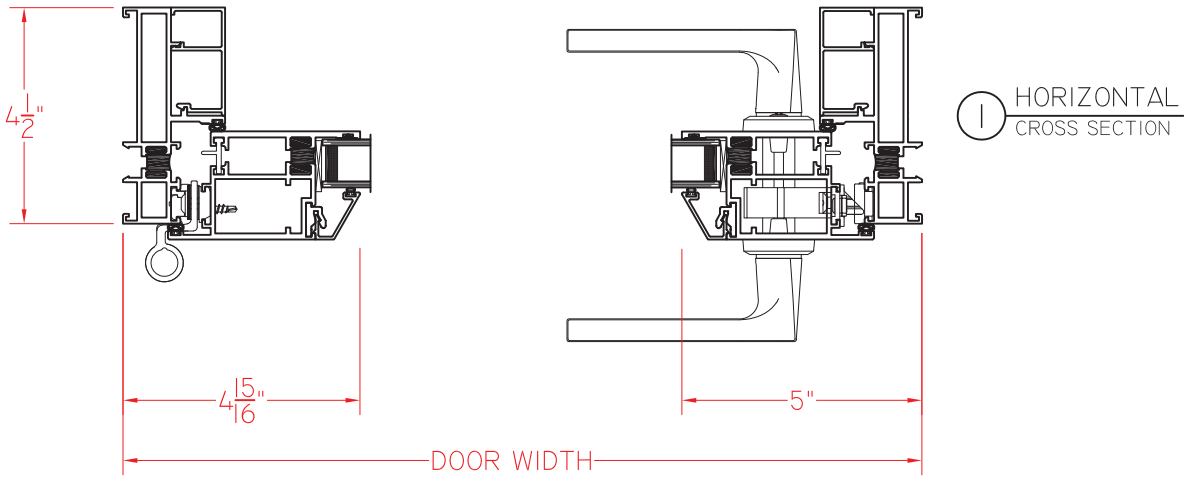
ELEVATION SCALE 3/8" = 1'-0"



SCALE 1:4

M705 SERIES OUTSWING TERRACE DOOR

This document contains confidential and proprietary information intended for the private use of Quaker.
© 2018 Quaker Window Products Co., INC. All rights reserved.
Quaker reserves the right to change any/all designs without notice. Due to periodic re-certification requirements, result shown may vary.



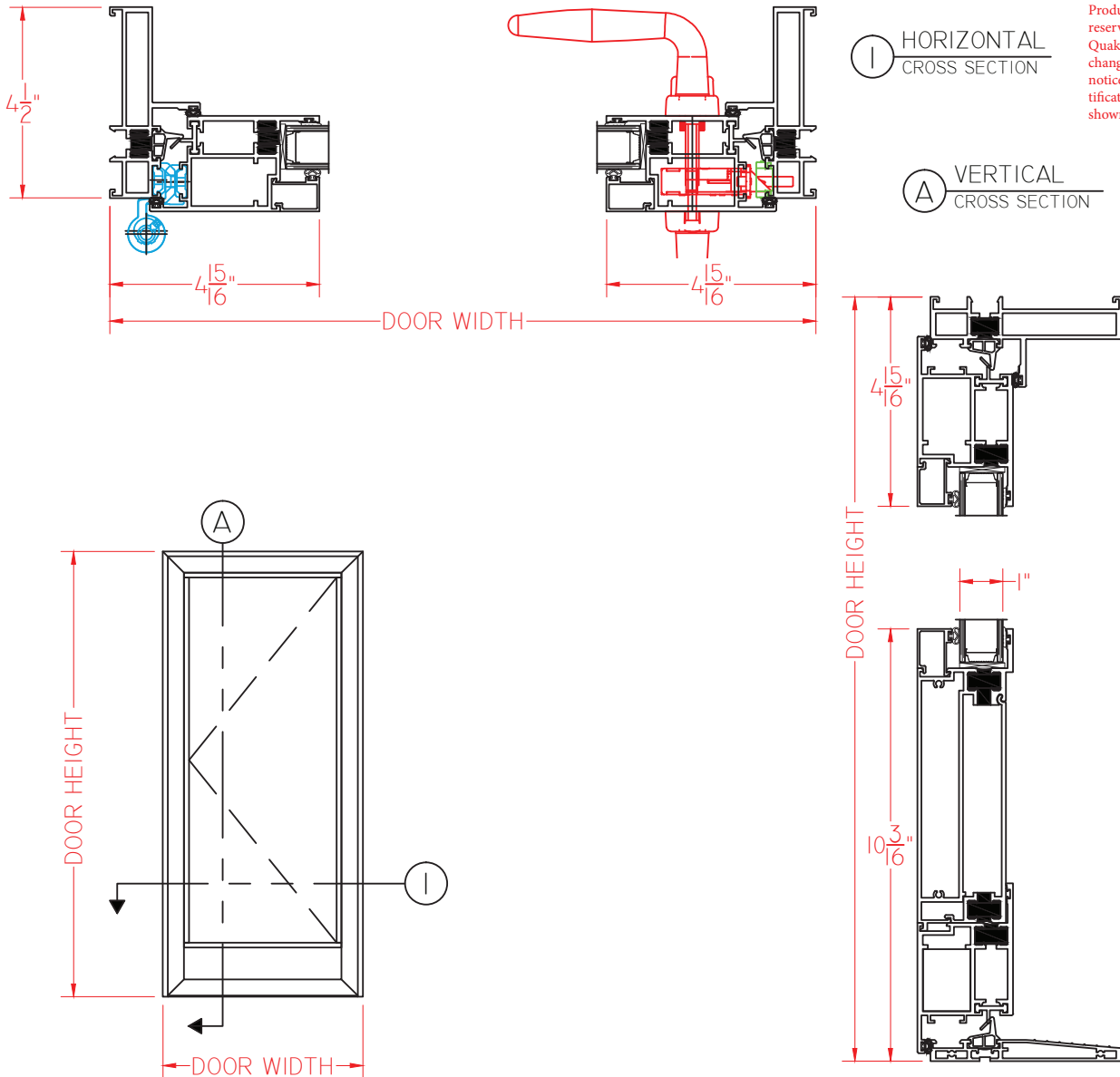
SCALE 1:4

Our products are tested to the standards of and certified by some of the foremost organizations in the fenestration industry.



M700 SERIES OUTSWING TERRACE DOOR

This document contains confidential and proprietary information intended for the private use of Quaker. © 2018 Quaker Window Products Co., INC. All rights reserved. Quaker reserves the right to change any/all designs without notice. Due to periodic re-certification requirements, result shown may vary.



Our products are tested to the standards of and certified by some of the foremost organizations in the fenestration industry.

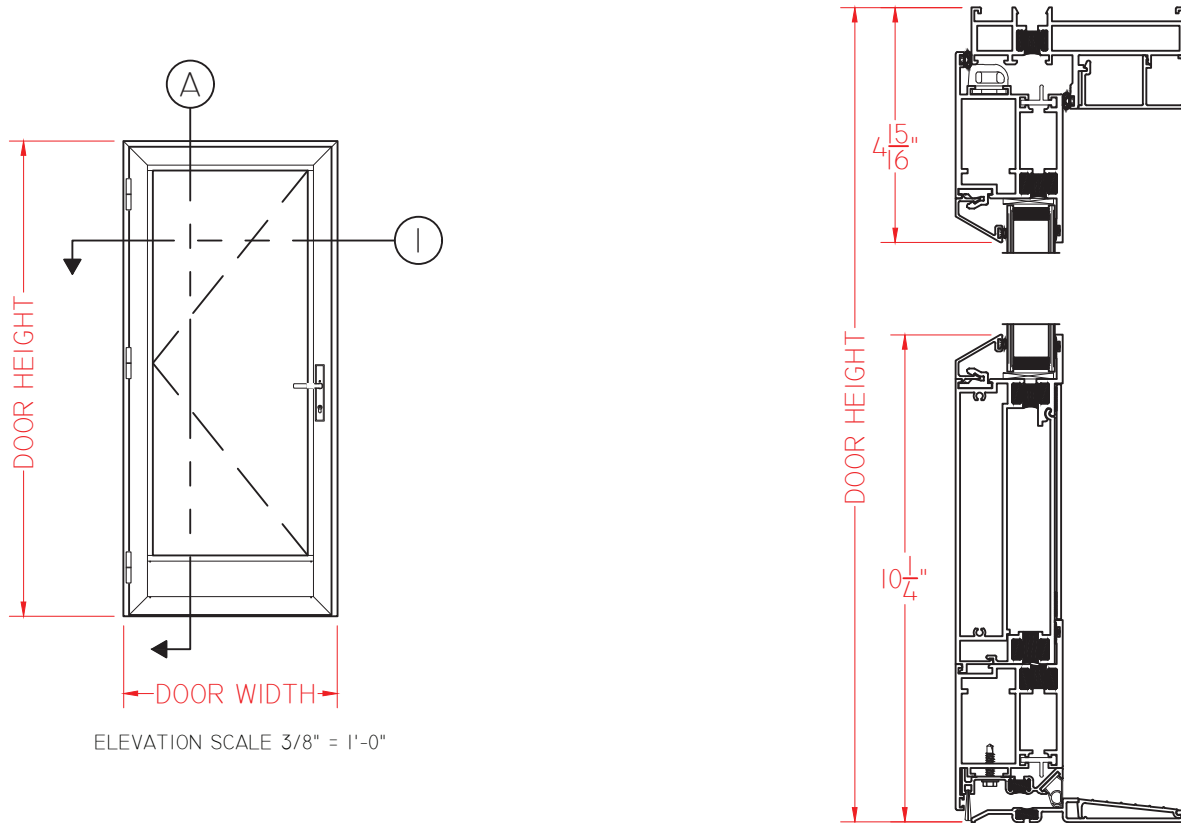
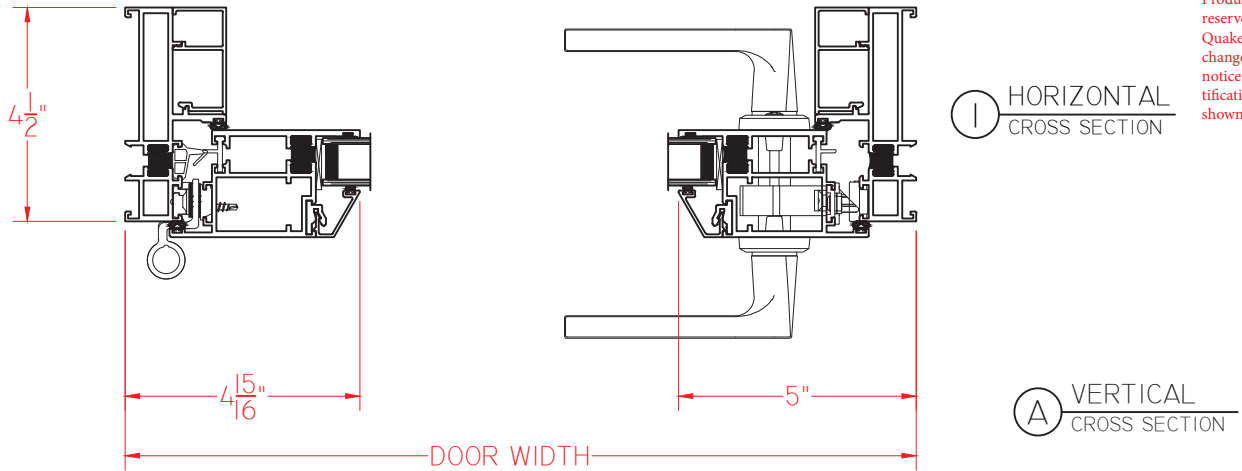




M705 4 1/2" Frame Depth Outswing Terrace Door w/ADA Sill and beveled glazing stops

M705 SERIES OUTSWING TERRACE DOOR

This document contains confidential and proprietary information intended for the private use of Quaker. © 2018 Quaker Window Products Co., INC. All rights reserved. Quaker reserves the right to change any/all designs without notice. Due to periodic re-certification requirements, result shown may vary.



SCALE 1:4

Our products are tested to the standards of and certified by some of the foremost organizations in the fenestration industry.

